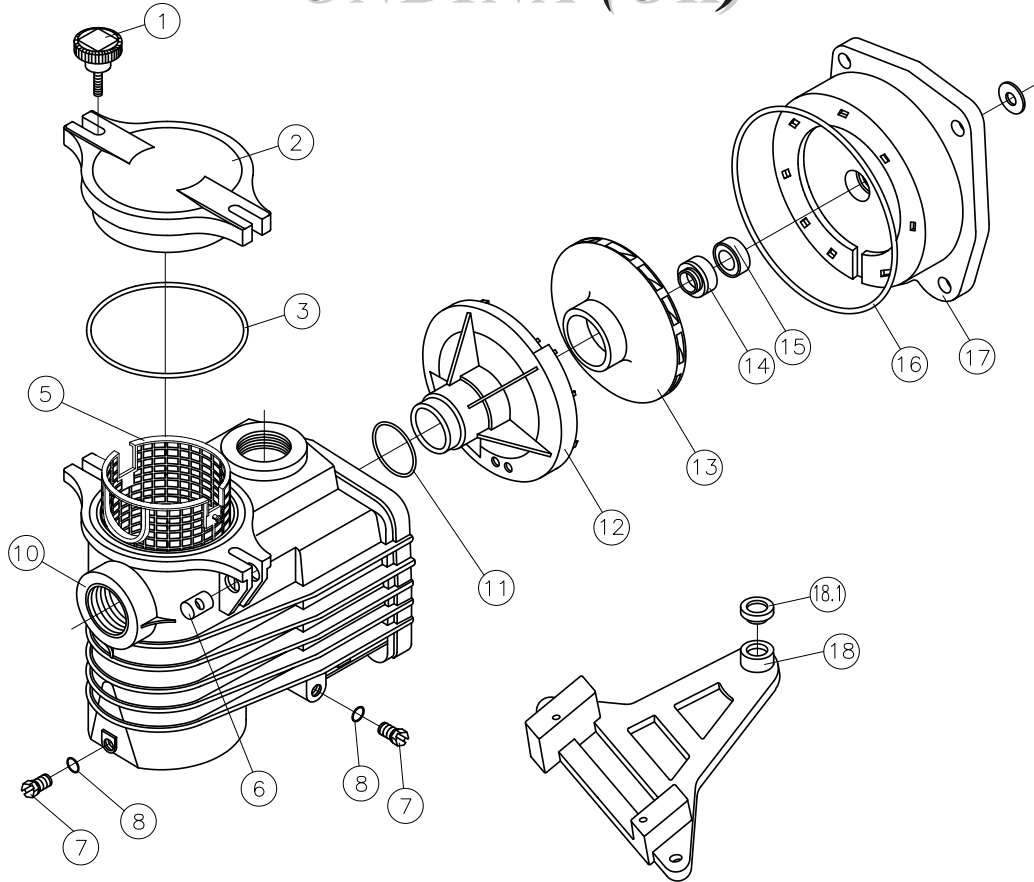


# ONDINA (OK)



REF.	DENOMINACIÓN DESIGNATION	COMPOSICIÓN COMPOUND BY	CAJA UD. / QTY. BOX
RBH0000.00R	Conjunto Desagüe / Drain set	- N°7 (10uds./units) - N°8 (10uds./units)	-
RBH0001.01R	Conjunto Palomilla / Cover screw set	- N°1 (2uds./units) - N°6 (2uds./units)	5
RBH0016.00R	Kit Bulón Palomilla / Pins set	- N°6 (10uds./units)	-
RBH0002.01R	Tapa / Lid	- N°2 (1ud./unit) - N°3 (1ud./unit)	5
RBH0003.01R	Cestillo / Basket	- N°5 (1ud./unit)	8
RBH0004.01R	Conjunto Juntas / O-ring set	- N°11 (1ud./unit) - N°16 (1ud./unit)	10
RBH0005.01R	Conjunto Retén / Seal set	- N°14 (1ud./unit) - N°15 (1ud./unit) - N°11 (1ud./unit) - N°16 (1ud./unit)	5
RBH0006.02R	Difusor / Diffuser	- N°12 (1ud./units)	10
RBH0007.03R	Turbina 0,33HP / Impeller 0,33HP		5
RBH0007.04R	Turbina 0,50HP / Impeller 0,50HP		5
RBH0007.05R	Turbina 0,75HP / Impeller 0,75HP	- N°13 (1ud./unit)	5
RBH0007.06R	Turbina 1,00HP / Impeller 1,00HP		5
RBH0008.01R	Cuerpo de unión / Flange	- N°17 (1ud./unit)	8
RBH0009.01R	Soporte / Support	- N°18 (1ud./unit) - N°18.1 (6uds./units)	12
RBH0010.01R	Cuerpo bomba / Pump casing	- N°10 (1ud./unit)	4
RBH0011.01R	Kit Juntas Tapa / Lid O-ring set	- N°3 (10uds./units)	-
RBH0012.01R	Kit Juntas Difusor / Diffuser O-ring set	- N°11 (10uds./units)	-
RBH0013.01R	Kit Juntas Cuerpo de Unión / Flange O-ring set	- N°16 (10uds./units)	-